

Dresser 10C25

Configuration Worksheet

Customer Name _____
 Customer Number _____
 Date _____
 Customer PO# _____
 Customer PO Line _____
 Customer P/N _____
 Dresser P/N _____

1. Connection Type:

- Sprague #3/#4 30LT 45LT 60LT

J-Tube Adapter (Optional):

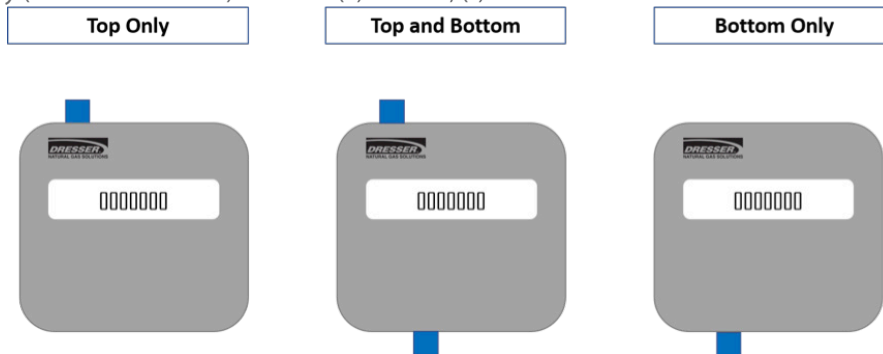
- 11" Center to center 8.25" Center to center

2. Meter Type:

- 10C25 DI
 10C25 DI-T (Temperature Corrected)
 10C25 DI-T (Temperature Corrected, Measurement Canada Sealed)
 10C25 DI-V (Vault Version)

3. Pulse Output Type (See graphics below):

- Top only (push-pull connector) Includes (1) Form A, (1) Form B
 Top and Bottom (push-pull connector on top, circular on bottom) Top pulse output includes (1) Form A, (1) Form B. Bottom pulse output (1) Form A
 Bottom only (circular connector) Includes (2) Form A, (1) Form B



4. Inlet Mounting Orientation:

- Side Inlet Top Inlet

5. Differential Plugs:

- None Either Peterson or Fairfax plugs Peterson plugs Fairfax plugs

6. Flow Directional Badging:

- Bi-directional badge Traditional inlet badge, top Traditional inlet badge, bottom



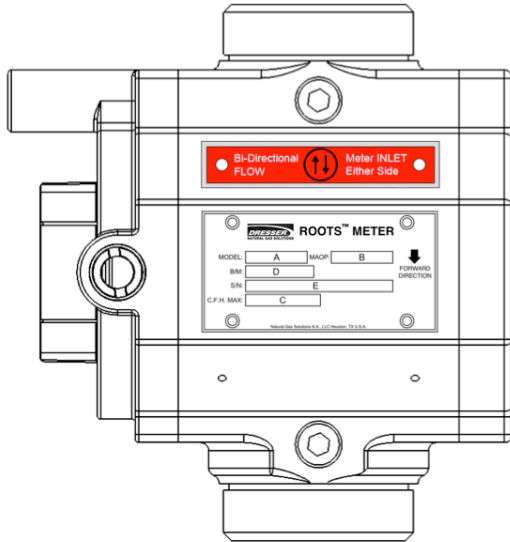
7. **Customer Identification (ID) Badging:**

- Brass badge
- White, barcode label
- Camcode badge*

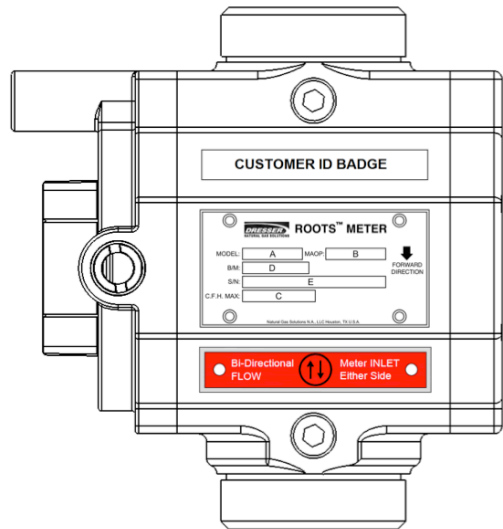
8. **Badge Placement (See graphics below):**

- Bidirectional badge on top
- Customer ID badge on top, bidirectional badge on bottom
- Customer ID badge on top, inlet badge on bottom
- Customer ID badge on bottom, inlet badge on top

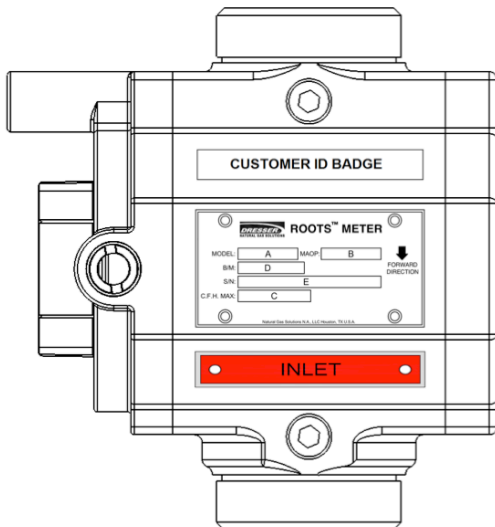
Bidirectional Badge On Top



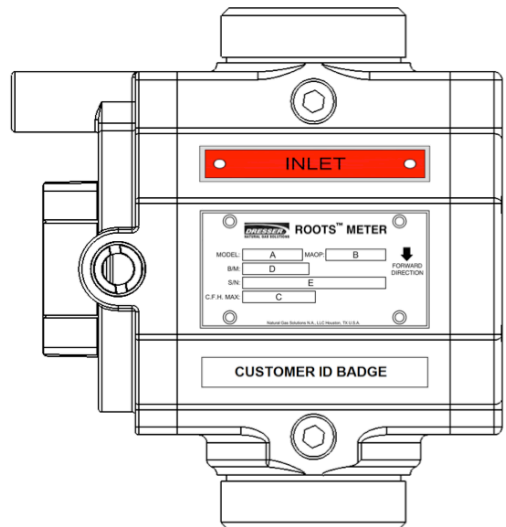
Customer ID Badge on Top
Bidirectional Badge On Bottom



Customer ID Badge on Top
Inlet Badge on Bottom



Customer ID Badge on Bottom
Inlet Badge on Top



*Customer provided Camcode badge

9. AMR Type:*(Note: Top Only or Top and Bottom Pulse Output Type required for AMR installation)*

- None
- Itron 100G
 - Mounting bracket and hardware only
 - Itron 100G installed with programming
 - Itron 100G installed without programming
- Sensus mounting bracket and hardware only
- Cellnet (L+G) mounting bracket and hardware only
- Silver Spring
 - Mounting bracket and hardware only
 - Silver Spring installed with programming
 - Silver Spring installed without programming
- Aclara
 - Mounting bracket and hardware only
 - Aclara installed without programming
- Other (Please contact factory)

10. Instrument Programming:

- Default Configuration
- Custom Configuration (Please review configuration settings below and submit changes)

10C25 Default Configuration**Volume Configuration:**

Meter Size	10C
Meter Volume Units	cf
Flow Sense*	Forward + Reverse
Compensated Volume	0
Compensated Volume Residual	0
Non-compensated Volume	0
Non-compensated Volume Residual	0
Compensated Multiplier (x1, x10, x100)	x 100 (x 1m ³ Metric)
Non-compensated Multiplier (x1, x10, x100)	x 100 (x 1m ³ Metric)
Compensated Number of Digits (5-8)	5
Non-compensated Number of Digits (5-8)	5
Number of Digits after dec. point	0 (Configurable for Metric only)
Pulse Output 1 Setting (Comp/Non-comp/Fault/Disabled)	Compensated
Pulse Output 1 Volume	x 10
Pulse Output 2 Setting (Comp/Non-comp/Fault/Disabled)	Non-compensated
Pulse Output 2 Volume	x 10
Pulse1/Pulse2 Pulse Width (50 ms/150 ms/250 ms)	150 ms
Pulse Output 3 Setting (Fault/Disabled)	Disabled
Fault Signal Pulse Output – AMR only (Continuous/Latched)	Continuous Pulse (every 30 seconds)

Compensation Configuration:

Temperature Units	°F
Base Temperature	60
Temperature Mode	Live
Fixed Temperature	60
Pressure Units (psi/kPa)	psi
Base Pressure	14.73
Atmospheric Pressure	14.73
Pressure Mode	Fixed
Fixed Pressure Reference (Gauge/Absolute)	Gauge Mode
Fixed Line Pressure	0
Fixed Pressure Factor	1

Alarm Settings:

High Temperature Limit	140
Low Temperature Limit	-40
Use Fixed Temp. Under Fault Status	True
High Temperature Alarm	True
Low Temperature Alarm	True
High Flow Alarm	True
Volume Input Alarm	True
Low Battery Alarm	True – not configurable

LCD Display Settings:

Compensated Volume	ON	Firmware Revision	ON
Non-compensated Volume	ON	Compensated Residual	ON
Compensation Factor	ON	Non-compensated Residual	ON
Line Temperature	ON	Base Pressure	ON
Base Temperature	ON	Atmospheric Pressure	ON
Meter Info	ON	Non-compensated Vol. Under Fault	ON
Fixed Line Pressure	ON	Remaining Battery Life	ON
Flow	ON	Change Battery	ON
Battery Voltage	ON	Compensated Prove Mode**	ON
Test Screen	ON	Non-compensated Prove Mode – not configurable**	ON

*Flow Sense Direction Options: Forward-Reverse, Reverse-Forward, Reverse, Forward, Forward+Reverse.

**Required for prover testing meter with IR interface.

Dresser Meters & Instruments

16240 Port Northwest Drive

Houston, TX 77041

T: 1-800-521-1114

F: 1-800-335-5224

The Dresser Logo and all Trademarks containing the term "Dresser" are the property of Dresser, LLC, a subsidiary of Baker Hughes, a GE Company.



www.dresserngs.com

Dresser 10C25 Configuration Sheet NGS.MI.0107b

07.20