

Dresser Series 3A Accessory Unit for LMMA Meters

Dresser Natural Gas Solutions (NGS) Series 3A Accessory Unit is a Series 3 (Life-Lubed) index that mounts directly to your Series A (LMMA) body meter using a factory attached adapter. The S3A features the same high quality and long-term reliability of the oil-free S3 Accessory Unit that you've come to trust.

The no-maintenance, less expensive and easier-to-read S3A Accessory Unit extends the life expectancy of your LMMA meter (LMMA meter line was discontinued from production in 1998) providing many additional years of reliable service.

You'll benefit from:

No Index Maintenance. Oil is not required for the polymer bushings and pre-lubricated, shielded ball bearings making the index environmentally friendly and easier to install and maintain.

Index Masking Options. The S3A's versatile odometer masking design uses opaque or semi-transparent covers, offering configurable, trouble-free masking with no moving parts, hinges, flappers or magnets.

Easy-To-Change ID Rotation. Simply remove two bolts and invert the gear module so the pinion gear is driven at the bottom rather than the top of the horizontal bevel gear.

Conversion Kit Inventory Reduction. The S3A uses the same #399 conversion kits as the B3 meters. Now you can stock the same Instrument Drive, Pulser or AMR Adapter #399 kits for both Series Meters – LMMA and Series B3 meters.

Proving Procedure Simplification. With the S3A, you can prove your LMMA meters the same way you prove your B3 meters – off the odometer test wheel.

Lower Price. The S3A Accessory Units are less expensive than the old LMMA series units.



Figure 1 - Series A (LMMA) Meters with S3A CD (Counter with Instrument Drive) and S3A ITPWD (TC with Solid State Pulser)



Figure 2 - Series 3A TC (Temperature Compensated Index)



Figure 3 - Series 3A CTR/AMR Adapter (shown with Itron ERT installed)

Installation Dimensional Drawing

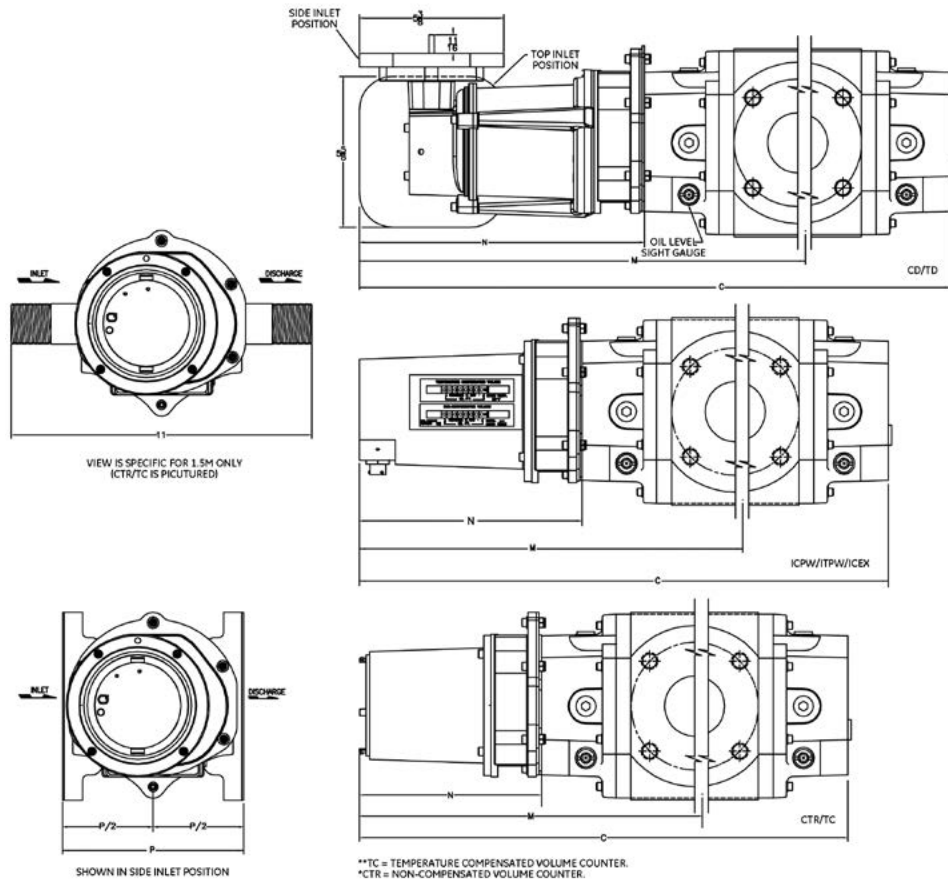
Model	CD/TD Dimensions (in/approx.)			
	C	M	N	P
1.5M	19-3/4	15-5/32	10-5/8	6-1/4
3M	22-7/16	16-17/32	10-5/8	6-3/4
5M	26-7/32	18-17/32	10-5/8	6-3/4
7M	24	17-9/32	10-5/8	9-1/2
11M	27-9/16	19-1/16	10-5/8	9-1/2
16M	32-3/16	21-3/8	10-5/8	9-1/2

Model	CTR, TC Dimensions (in/approx.)			
	C	M	N	P
1.5M	15-29/32	11-9/32	6-3/4	6-1/4
3M	18-9/16	12-21/32	6-3/4	6-3/4
5M	22-11/32	14-21/32	6-3/4	6-3/4
7M	20-1/8	13-13/32	6-3/4	9-1/2
11M	23-11/16	15-3/16	6-3/4	9-1/2
16M	28-5/16	17-1/2	6-3/4	9-1/2

Model	ICPW, ITPW, ICEX Dimensions (in/approx.)			
	C	M	N	P
1.5M	17-15/32	12-27/32	8-5/16	6-1/4
3M	20-1/8	14-7/32	8-5/16	6-3/4
5M	23-29/32	16-7/32	8-5/16	6-3/4
7M	21-11/16	14-31/32	8-5/16	9-1/2
11M	25-1/4	16-3/4	8-5/16	9-1/2
16M	29-7/8	19-1/16	8-5/16	9-1/2

Reference Drawings:

- D058756-000 Meter Dimensional TC/CTR AMR Adapter with Inv./Amer ERT
- D058765-000 Meter Dimensional TC/CTR AMR Adapter with Amer. Cellnet
- D058783-000 Meter Dimensional TC/CTR AMR Adapter with Amer. Trace



**TC = TEMPERATURE COMPENSATED VOLUME COUNTER.
*CTR = NON-COMPENSATED VOLUME COUNTER.

Dresser Meters & Instruments

16240 Port Northwest Drive

Houston, TX 77041

T: 1-800-521-1114

F: 1-800-335-5224

The Dresser Logo and all Trademarks containing the term "Dresser" are the property of Dresser, LLC, a subsidiary of Baker Hughes, a GE Company.



www.dresserngs.com

Dresser S3A Accessory Unit Fact Sheet NGS.MI.0021

10.18