



Dresser Solid State Transmitter

for Instrument Drive Rotary, Diaphragm or Turbine Meters

Applications

The Dresser Natural Gas Solutions (NGS) Solid State Transmitter Model RA-100 is designed for mounting on any gas meter with mechanical drive to provide a medium frequency series of pulses.

This transmitter is used for volume or flow rate indication. For process control requiring better than $\pm 12\%$ flow indication or control, use non-ID transmitters as the mechanical drive can cause flow rate to change due to mechanical alignment.

The Solid State transmitter is capable of supplying medium resolution for flow rate indication or recording, as well as volume totalization.

Mounting

The Dresser Solid State Transmitter IDX accepts clockwise or counterclockwise input rotation from the Meter. Mounting on Instrument Drive meters is accomplished by replacing the meter drive dog, lining up the "Instrument Face" decal on the transmitter with the adapter plate supplied with the meter, engaging the drive dog into the slotted coupling, and installing the four (4) cap screws supplied.

Specifications

Supply Voltage	+10 to +15 Vdc
Output	Dependent on load resistance
Switching Times	
Rise Time	2 microseconds max w 10 mA resistive load
Fall Time	4 microseconds max
Rotation	Bi-directional
Input Shaft Speed	600 RPM maximum
Output Pulse	100 Pulses per input shaft revolution
Duty Cycle	50% $\pm 10\%$ On/Off ratio
Operating Environment	-40°F to +180°F (-40°C to +82°C)
Housing	Explosion Proof, Class 1, Group C,D, U.L. Listed
Leads	48" Gas and Oil resistant #18 AWG wire

For requirements outside these specifications, please contact factory.

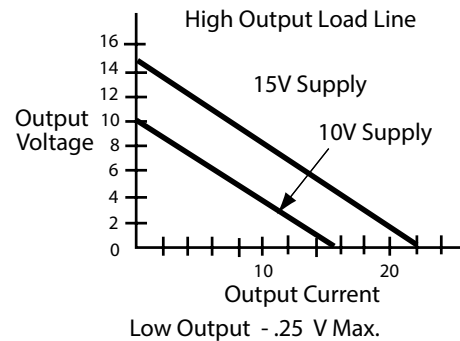
Output Pulse Rates

Meter Size	Volume per Pulse		Pulse per ft ³ or m ³	
	IDX		IDX	
	ft ³	m ³	pls/ft ³	pls/m ³
1.5M, 3M., 5M	0.1	0.001	10	1000
7M, 11M	0.1	0.001	10	1000
16M	1	0.01	1	100
23M, 38M	1	0.01	1	100
56M, 102M	1	0.1	1	10

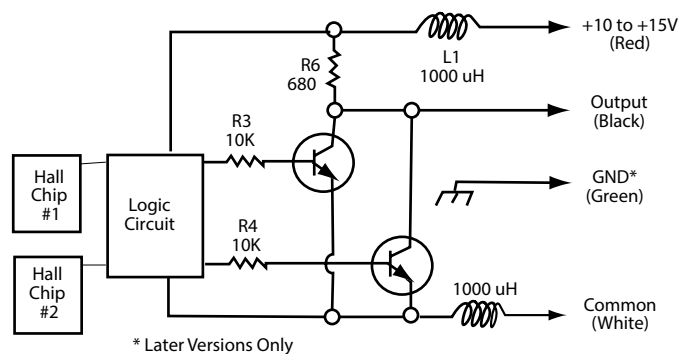
Ordering Information

To order for mounting on Dresser Meter Instrument Drive, specify, Dresser Transmitter (XMTR), Model RA-100, type IDX.

OUTPUT CURRENT VOLTAGE/CURRENT



SCHEMATIC



Dresser Meters & Instruments

16240 Port Northwest Drive

Houston, TX 77041

T: 1-800-521-1114

F: 1-800-335-5224

The Dresser Logo and all Trademarks containing the term "Dresser" are the property of Dresser, LLC, a subsidiary of Baker Hughes, a GE Company.



www.dresserngs.com

Dresser Solid State Transmitter Fact Sheet NGS.MI.0047

11.18